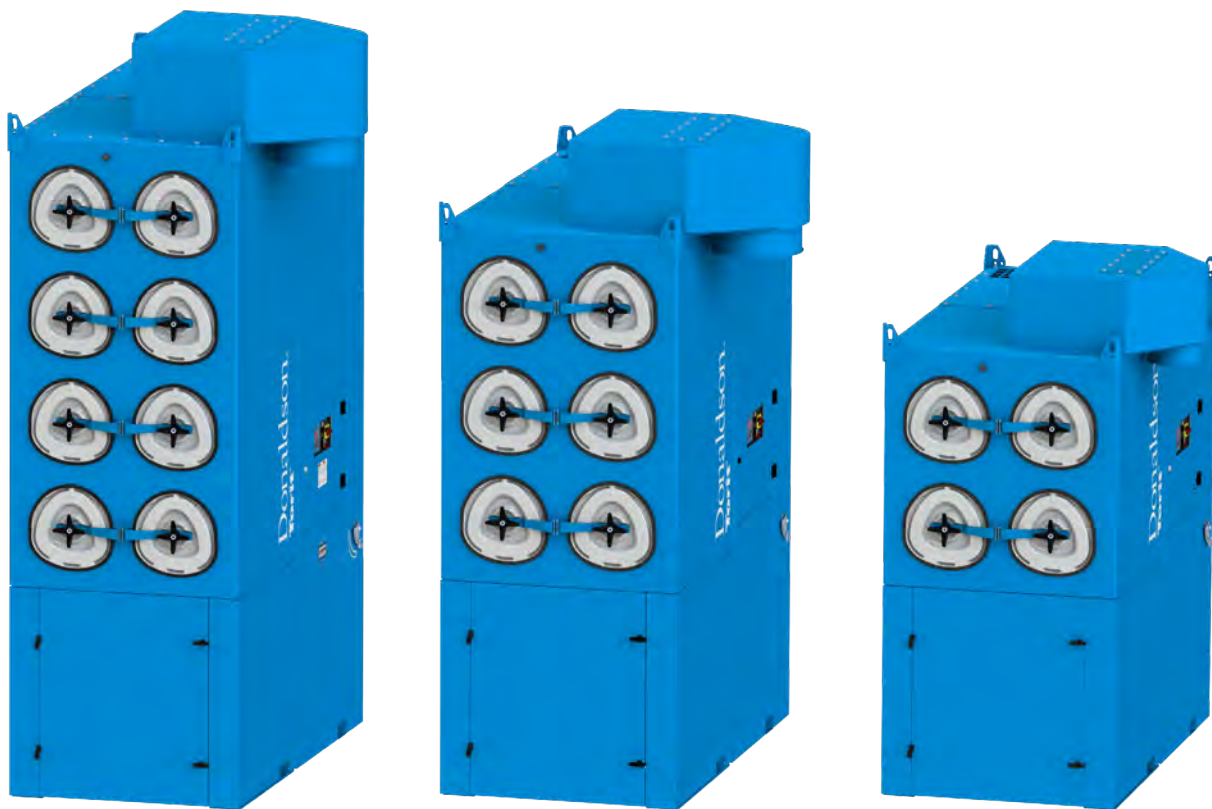




Packaged Downflo® Evolution

DFEP4 through DFEP8

Replacement Parts List



IMPORTANT NOTES

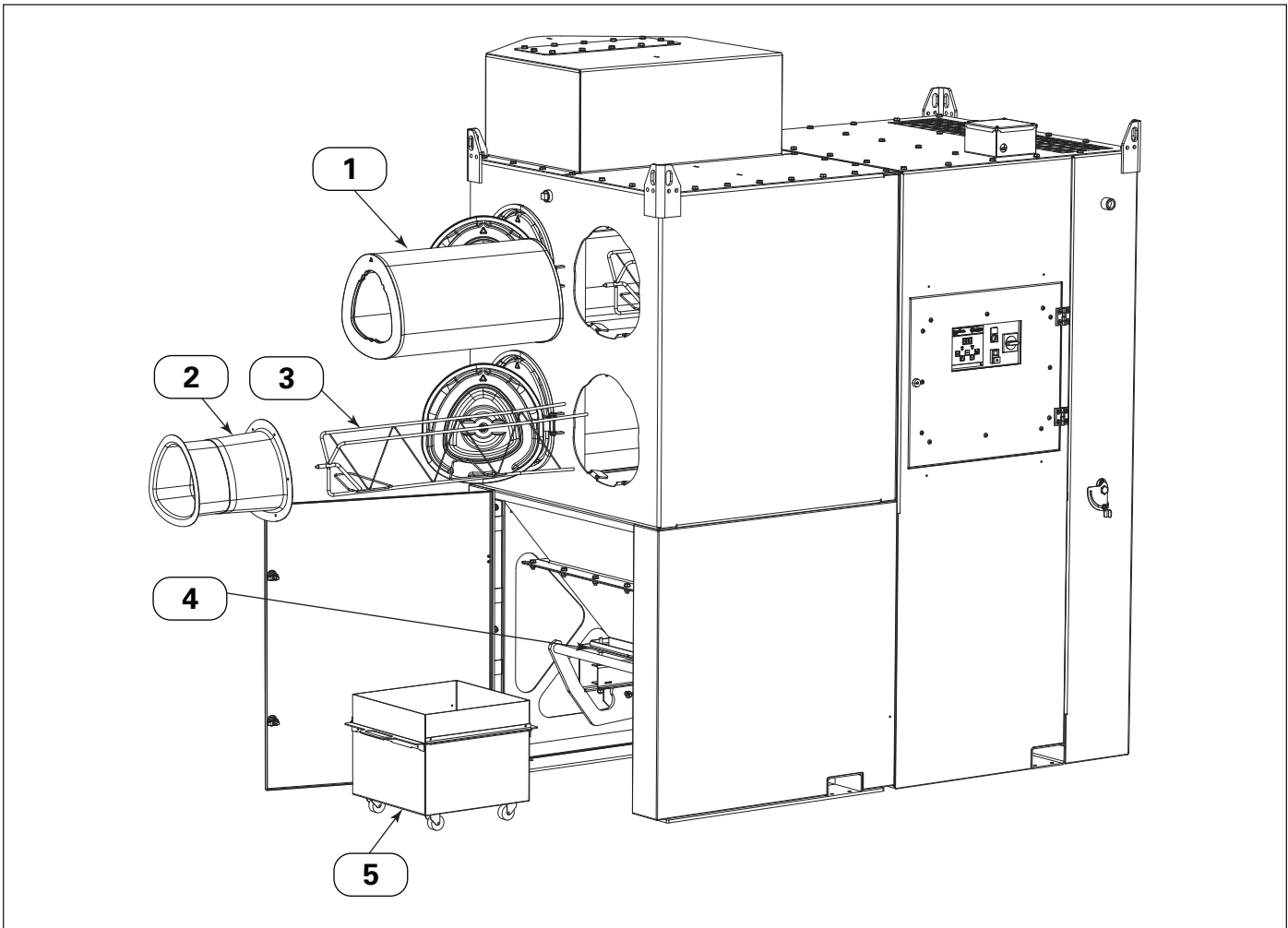
This manual has been supplied to assist with the installation, operation and maintenance for the collector purchased. Please read the manual before installing, operating, or performing maintenance on the collector as it contains specific precautions for worker safety. It is the owner's responsibility to ensure that this manual is available for use by installers, operators and maintenance personnel that will be working with this collector. This manual is the property of the owner and should be left with the collector when installation has been completed. DO NOT operate this collector until you have read and understood the instructions and warnings located in this manual.

For additional copies of this manual, contact Donaldson Torit.

Contents

IMPORTANT NOTES	i
Packaged Downflo Evolution Dust Collector	1
Packaged Downflo Evolution Afterfilter (Optional).....	2
Filter Access Cover Assembly	3
Inlet Plenum (GL)	4
Inlet Plenum (Front) DFEP4 and DFEP6.....	5
Inlet Plenum (Front) DFEP8	6
Delta P Control Assembly Kit (Internal/Door Mounted)	7
Delta P Plus Control Assembly Kit (Internal/Door Mounted)	10
Remote Mount Delta P Cleaning	13
Remote Mount Delta P Plus Cleaning	14
Pressure Gauge Tubing Assembly	15
Manifold Assembly.....	16
Diaphragm Valve and Repair Kit	17
Solenoid Assembly, NEMA 4 Enclosure	18
Solenoid Assembly, NEMA 9 Explosion-Proof Enclosure	19
Power Pack Assembly	21
Explosion Relief Vent	23
Bag-Out Components.....	24
Collector Information	25
Service Notes	25
Donaldson Industrial Air Filtration Warranty	28

Packaged Downflo Evolution Dust Collector



Packaged Downflo Evolution Dust Collector

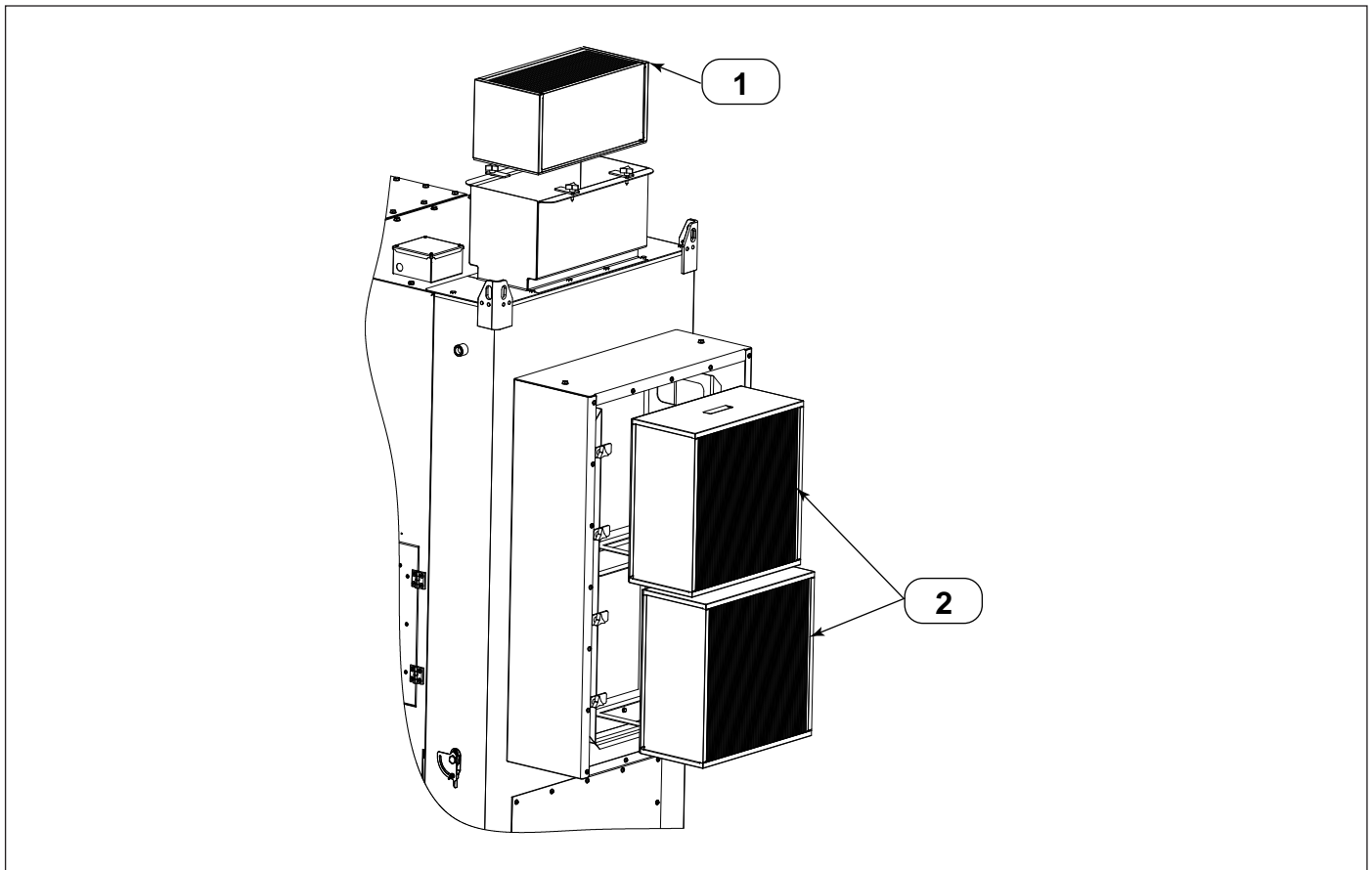
Item	Part Number	Description	Model
1*	P034301-016-436	Ultra-Web® Filter	All
	P034303-016-436	Ultra-Web Flame Retardant Filter	All
2	AG8170201	Venturi Weld, DFE	All
3	AG8230001	Yoke Weld, DFE	All
4	AD3965904	Urethane Gasket with PSA (1.5-in x 0.5-in x 72-in)	Standard DFEP4, 6
	AD3965904	Urethane Gasket with PSA (1.5-in x 0.5-in x 120-in)	Standard DFEP8 Optional DFEP4, 6
5	AG8356498	Standard Bin (2.3 cu ft volume)	DFEP4, 6
	AG8356499	Large Capacity Bin (5.5 cu ft volume)	All

Not Illustrated

7946804	Warning Label	All
---------	---------------	-----

*Additional media types are available. Please contact a parts specialist at 1-800-365-1331 for assistance.

Packaged Downflo Evolution Afterfilter (Optional)



Packaged Downflo Evolution Afterfilter (Optional)

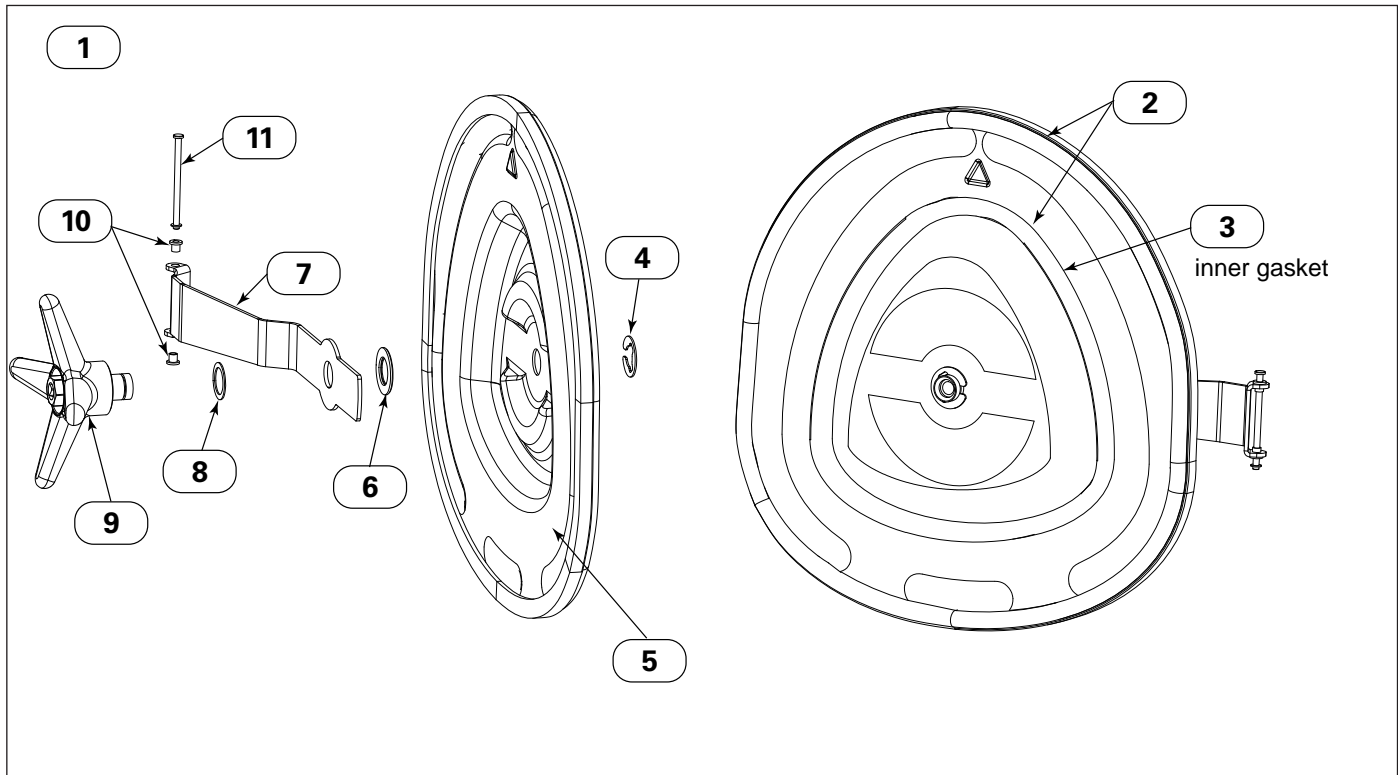
Item	Part Number	Description	Model
1*	P030648	HEPA Filter (12 x 24 x 11.5) 1000 cfm	DFEP4, 6
2*	P030625	HEPA Filter (24 x 24 x 11.5) 2000 cfm	All

Not Illustrated (shipped loose items)

AG8409901	HEPA Retrofit Rear Assembly (Includes Rear HEPA Module, (1) HEPA Filter 2000 cfm and Top Exhaust Cover)	DFEP4
AG8409902	HEPA Retrofit Top Mounted Assembly (Includes Top HEPA Module, HEPA Filter 1000 cfm and Exhaust Cover, must be purchased with HEPA Retrofit Rear Assembly)	DFEP4, 6
AG8409903	HEPA Retrofit Rear Assembly (Includes Rear HEPA Module, (2) HEPA Filters 2000 cfm and Top Exhaust Cover)	DFEP6
AG8409907	HEPA Retrofit Rear Assembly (Includes Rear HEPA Module, (2) HEPA Filters 2000 cfm and Top Exhaust Cover)	DFEP8
AG8409908	HEPA Retrofit Rear Assembly (Includes Rear HEPA Module, (3) HEPA Filters 2000 cfm and Top Exhaust Cover)	DFEP8

*Additional media types are available. Please contact a parts specialist at 1-800-365-1331 for assistance.

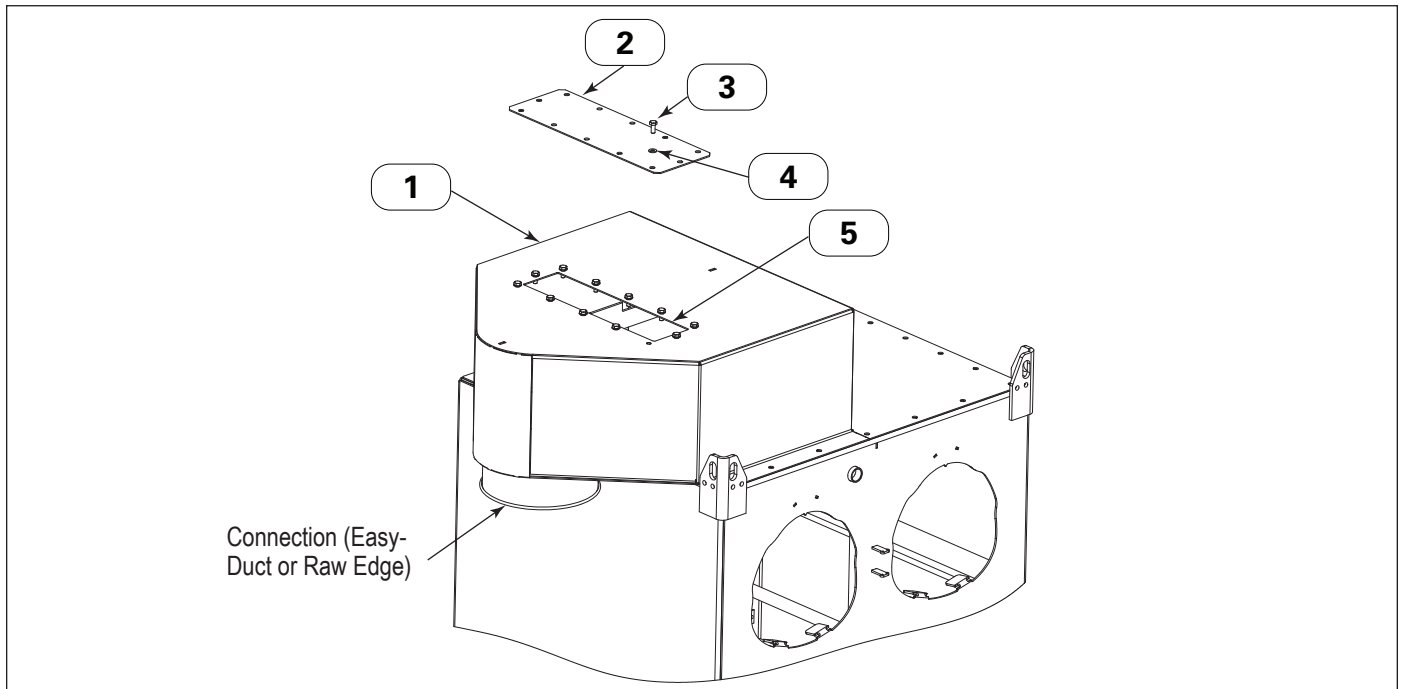
Filter Access Cover Assembly



Filter Access Cover Assembly

Item	Part Number	Description	Model
1	AG8176001	Access Cover and Knob Assembly	All
	AG8176005	Access Cover and Knob Assembly, High-Temp	All
2	AG8214601	Gasket Kit Access Cover (kit includes inner and outer access cover gaskets)	All
3	7598602	Gasket Round, 10.12 ID, Silicone Sponge (high-temp, inner gasket only)	All
4	2242200	Clip 0.688 ID	All
5	AG8177401	Access Cover	All
6	2242300	Gasket Washer Flat 0.81 ID	All
7	AG8321001	Access Cover Hinge, Standard	All
8	AG8180101	Access Cover Shim, 22 mm	All
9	AG8177601	Knob, 4-lobe DFE	All
10	AG8179901	Hinge Pin Shoulder Spacer	All
11	AG8180001	Access Cover Pin, Clevis and E-Clip	All
Not Illustrated			
	AG8214701	Hinge Kit (kit includes hinge, pin shoulder plastic washer, hinge pin and e-clip)	All

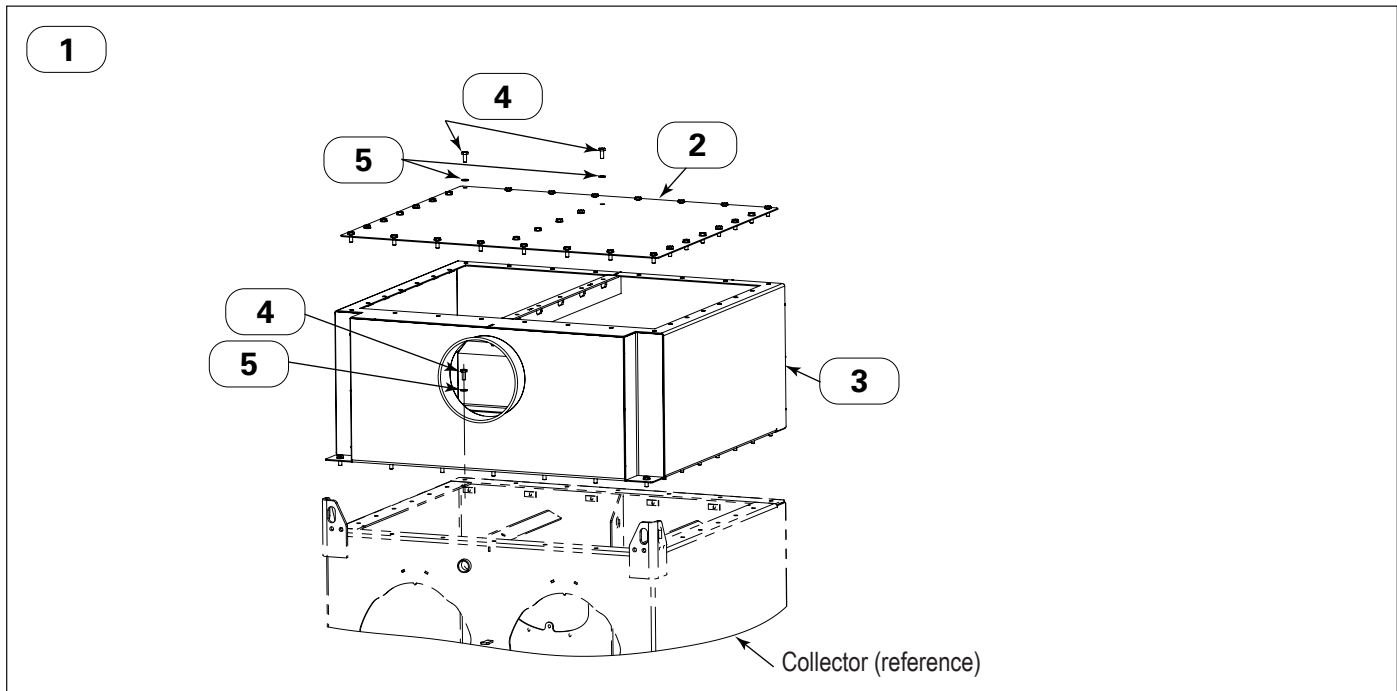
Inlet Plenum (GL)



Inlet Plenum GL (Left, Easy-Duct Shown)

Item	Part Number	Description	Model
1	AG8355005	Inlet 10-inch (Left or Right) Easy-Duct	DFEP4
	AG8355007	Inlet 10-inch (Left or Right) Raw Edge	DFEP4
	AG8355006	Inlet 12-inch (Left or Right) Easy-Duct	DFEP4, 8
	AG8355008	Inlet 12-inch (Left or Right) Raw Edge	DFEP4, 8
	AG8436101	Inlet 12-inch (Left or Right) Easy-Duct	DFEP6
	AG8436102	Inlet 12-inch (Left or Right) Raw Edge	DFEP6
	AG8355004	Inlet 14-inch (Left or Right) Easy-Duct	DFEP6
	AG8355011	Inlet 14-inch (Left or Right) Raw Edge	DFEP6
	AG8355001	Inlet 16-inch (Left or Right) Easy-Duct	DFEP6
	AG8355012	Inlet 16-inch (Left or Right) Raw Edge	DFEP6
	AG8355027	Inlet 14-inch (Left or Right) Easy-Duct	DFEP8
	AG8355028	Inlet 14-inch (Left or Right) Raw Edge	DFEP8
	AG8355025	Inlet 16-inch (Left or Right) Easy-Duct	DFEP8
	AG8355026	Inlet 16-inch (Left or Right) Raw Edge	DFEP8
	2	AG8355119	Panel Access Cover
3	0919505	Hex Bolt, Steel Zinc Plated, CL8.8 M10-1.5 x 25mm Long, ROHS	All
4	9397411	Flat Washer, Steel, Zinc Plated Type A M10 ROHS	All
5	AG8338701	Sealant	All

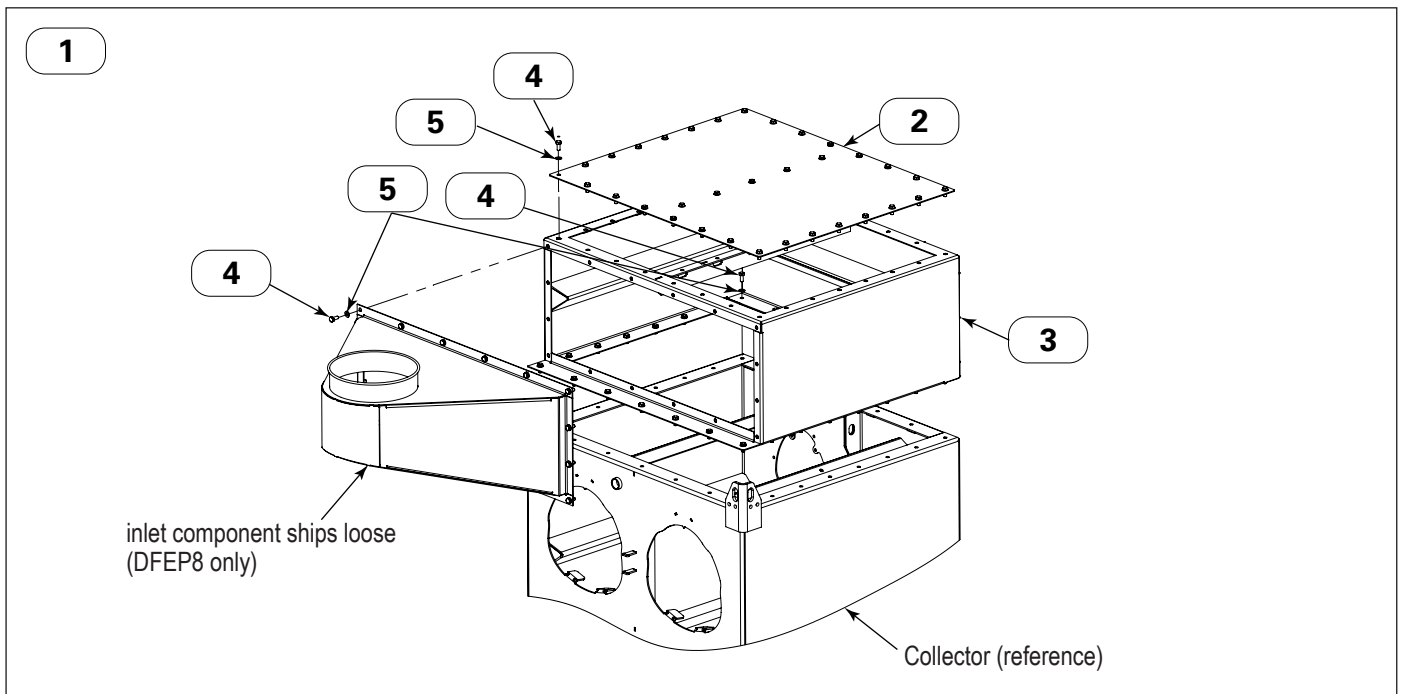
Inlet Plenum (Front) DFEP4 and DFEP6



Inlet Plenum (DFEP4 Front, Easy-Duct Shown)

Item	Part Number	Description	Model
1	AG8356428	Front Inlet 10-in Easy-Duct	DFEP4
	AG8356429	Front Inlet 10-in Raw Edge	DFEP4
	AG8356425	Front Inlet 12-in Easy-Duct	DFEP4, 6
	AG8356430	Front Inlet 12-in Raw Edge	DFEP4, 6
	AG8356426	Front Inlet 14-in Easy-Duct	DFEP6
	AG8356431	Front Inlet 14-in Raw Edge	DFEP6
	AG8356427	Front Inlet 16-in Easy-Duct	DFEP6
	AG8356432	Front Inlet 16-in Raw Edge	DFEP6
2	AG8355156	Cover Inlet Non-Vented	All
3	AG8355019	Top Inlet Module Weldment Front Entry, 10-in Easy-Duct	DFEP4
	AG8355020	Top Inlet Module Weldment Front Entry, 10-in Raw Edge	DFEP4
	AG8355015	Top Inlet Module Weldment Front Entry, 12-in Easy-Duct	DFEP4, 6
	AG8355021	Top Inlet Module Weldment Front Entry, 12-in Raw Edge	DFEP4, 6
	AG8355017	Top Inlet Module Weldment Front Entry, 14-inch Easy-Duct	DFEP6
	AG8355022	Top Inlet Module Weldment Front Entry, 14-in Raw Edge	DFEP6
	AG8355018	Top Inlet Module Weldment Front Entry, 16-in Easy-Duct	DFEP6
	AG8355023	Top Inlet Module Weldment Front Entry, 16-in Raw Edge	DFEP6
4	0919505	Hex Bolt, Steel Zinc Plated, CL8.8 M10-1.5 x 25mm Long, ROHS	All
5	9397411	Flat Washer, Steel, Zinc Plated Type A M10 ROHS	All

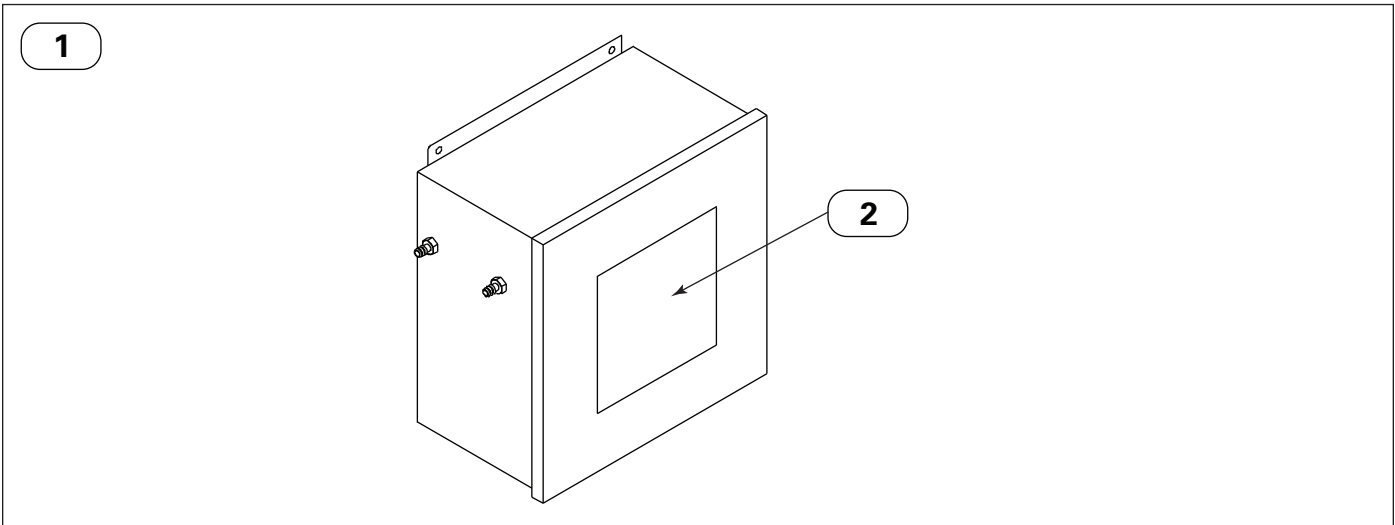
Inlet Plenum (Front) DFEP8



Inlet Plenum (DFEP8 Front, Easy-Duct Shown)

Item	Part Number	Description	Model
	AG8423901	Front Inlet 12-in Easy-Duct	DFEP8
	AG8423904	Front Inlet 12-in Raw Edge	DFEP8
	AG8423902	Front Inlet 14-in Easy-Duct	DFEP8
	AG8423905	Front Inlet 14-in Raw Edge	DFEP8
	AG8423903	Front Inlet 16-in Easy-Duct	DFEP8
	AG8423906	Front Inlet 16-in Raw Edge	DFEP8
2	AG8355156	Cover Inlet Non-Vented	All
3	AG8424015	Top Inlet Module Weldment Front Entry	All
4	0919505	Hex Bolt, Steel Zinc Plated, CL8.8 M10-1.5 x 25mm Long, ROHS	All
5	9397411	Flat Washer, Steel, Zinc Plated Type A M10 ROHS	All

Delta P Control Assembly Kit (Internal/Door Mounted)



Delta P Control Assembly

Item	Part Number	Description	Model
1	7063417	DFEP Control Panel, 7.5 Hp 208/60/3, Internal, Local Control, Torit Delta P Cleaning With Collector Junction Box	DFEP4
	7063418	DFEP Control Panel, 7.5 Hp 230/60/3, Internal, Local Control, Torit Delta P Cleaning With Collector Junction Box	DFEP4
	7063419	DFEP Control Panel, 7.5 Hp 460/60/3, Internal, Local Control, Torit Delta P Cleaning With Collector Junction Box	DFEP4
	7063420	DFEP Control Panel, 7.5 Hp 575/60/3, Internal, Local Control, Torit Delta P Cleaning With Collector Junction Box	DFEP4
	7063617	DFEP Control Panel, 7.5 Hp 208/60/3, Internal, Local/Remote Control, Torit Delta P Cleaning With Collector Junction Box	DFEP4
	7063618	DFEP Control Panel, 7.5 Hp 230/60/3, Internal, Local/Remote Control, Torit Delta P Cleaning With Collector Junction Box	DFEP4
	7063619	DFEP Control Panel, 7.5 Hp 460/60/3, Internal, Local/Remote Control, Torit Delta P Cleaning With Collector Junction Box	DFEP4
	7063620	DFEP Control Panel, 7.5 Hp 575/60/3, Internal, Local/Remote Control, Torit Delta P Cleaning With Collector Junction Box	DFEP4
	7063401	DFEP Control Panel, 10 Hp 208/60/3, Internal, Local Control, Torit Delta P Cleaning With Collector Junction Box	DFEP4
	7063402	DFEP Control Panel, 10 Hp 230/60/3, Internal, Local Control, Torit Delta P Cleaning With Collector Junction Box	DFEP4
	7063403	DFEP Control Panel, 10 Hp 460/60/3, Internal, Local Control, Torit Delta P Cleaning With Collector Junction Box	DFEP4
	7063404	DFEP Control Panel, 10 Hp 575/60/3, Internal, Local Control, Torit Delta P Cleaning With Collector Junction Box	DFEP4

Note: Complete kit includes control panel, junction box, wiring and conduit. Contact home office for individual components

Delta P Control Assembly Kit (Internal/Door Mounted)

Item	Part Number	Description	Model
1	7063405	DFEP Control Panel, 10 Hp 208/60/3, Internal, Local Control, Torit Delta P Cleaning With Collector Junction Box	DFEP6
	7063406	DFEP Control Panel, 10 Hp 230/60/3, Internal, Local Control, Torit Delta P Cleaning With Collector Junction Box	DFEP6
	7063407	DFEP Control Panel, 10 Hp 460/60/3, Internal, Local Control, Torit Delta P Cleaning With Collector Junction Box	DFEP6
	7063408	DFEP Control Panel, 10 Hp 575/60/3, Internal, Local Control, Torit Delta P Cleaning With Collector Junction Box	DFEP6
	7063425	DFEP Control Panel, 10 Hp 208/60/3, Internal, Local Control, Torit Delta P Cleaning with Collector Junction Box	DFEP8
	7063426	DFEP Control Panel, 10 Hp 230/60/3, Internal, Local Control, Torit Delta P Cleaning with Collector Junction Box	DFEP8
	7063427	DFEP Control Panel, 10 Hp 460/60/3, Internal, Local Control, Torit Delta P Cleaning with Collector Junction Box	DFEP8
	7063428	DFEP Control Panel, 10 Hp 575/60/3, Internal, Local Control, Torit Delta P Cleaning with Collector Junction Box	DFEP8
	7063601	DFEP Control Panel, 10 Hp 208/60/3, Internal, Local/Remote Control, Torit Delta P Cleaning With Collector Junction Box	DFEP4
	7063602	DFEP Control Panel, 10 Hp 230/60/3, Internal, Local/Remote Control, Torit Delta P Cleaning With Collector Junction Box	DFEP4
	7063603	DFEP Control Panel, 10 Hp 460/60/3, Internal, Local/Remote Control, Torit Delta P Cleaning With Collector Junction Box	DFEP4
	7063604	DFEP Control Panel, 10 Hp 575/60/3, Internal, Local/Remote Control, Torit Delta P Cleaning With Collector Junction Box	DFEP4
	7063605	DFEP Control Panel, 10 Hp 208/60/3, Internal, Local/Remote Control, Torit Delta P Cleaning With Collector Junction Box	DFEP6
	7063606	DFEP Control Panel, 10 Hp 230/60/3, Internal, Local/Remote Control, Torit Delta P Cleaning With Collector Junction Box	DFEP6
	7063607	DFEP Control Panel, 10 Hp 460/60/3, Internal, Local/Remote Control, Torit Delta P Cleaning With Collector Junction Box	DFEP6
	7063608	DFEP Control Panel, 10 Hp 575/60/3, Internal, Local/Remote Control, Torit Delta P Cleaning With Collector Junction Box	DFEP6
	7063625	DFEP Control Panel, 10 Hp 208/60/3, Internal, Local/Remote Control, Torit Delta P Cleaning with Collector Junction Box	DFEP8
	7063626	DFEP Control Panel, 10 Hp 230/60/3, Internal, Local/Remote Control, Torit Delta P Cleaning with Collector Junction Box	DFEP8
	7063627	DFEP Control Panel, 10 Hp 460/60/3, Internal, Local/Remote Control, Torit Delta P Cleaning with Collector Junction Box	DFEP8
	7063628	DFEP Control Panel, 10 Hp 575/60/3, Internal, Local/Remote Control, Torit Delta P Cleaning with Collector Junction Box	DFEP8

Note: Complete kit includes control panel, junction box, wiring and conduit. Contact home office for individual components

Delta P Control Assembly Kit (Internal/Door Mounted)

Item	Part Number	Description	Model
1	7063413	DFEP Control Panel, 15 Hp 208/60/3, Internal, Local Control, Torit Delta P Cleaning With Collector Junction Box	DFEP6
	7063414	DFEP Control Panel, 15 Hp 230/60/3, Internal, Local Control, Torit Delta P Cleaning With Collector Junction Box	DFEP6
	7063415	DFEP Control Panel, 15 Hp 460/60/3, Internal, Local Control, Torit Delta P Cleaning With Collector Junction Box	DFEP6
	7063416	DFEP Control Panel, 15 Hp 575/60/3, Internal, Local Control, Torit Delta P Cleaning With Collector Junction Box	DFEP6
	7063429	DFEP Control Panel, 15 Hp 208/60/3, Internal, Local Control, Torit Delta P Cleaning With Collector Junction Box	DFEP8
	7063430	DFEP Control Panel, 15 Hp 230/60/3, Internal, Local Control, Torit Delta P Cleaning With Collector Junction Box	DFEP8
	7063431	DFEP Control Panel, 15 Hp 460/60/3, Internal, Local Control, Torit Delta P Cleaning With Collector Junction Box	DFEP8
	7063432	DFEP Control Panel, 15 Hp 575/60/3, Internal, Local Control, Torit Delta P Cleaning With Collector Junction Box	DFEP8
	7063613	DFEP Control Panel, 15 Hp 208/60/3, Internal, Local/Remote Control, Torit Delta P Cleaning With Collector Junction Box	DFEP6
	7063614	DFEP Control Panel, 15 Hp 230/60/3, Internal, Local/Remote Control, Torit Delta P Cleaning With Collector Junction Box	DFEP6
	7063615	DFEP Control Panel, 15 Hp 460/60/3, Internal, Local/Remote Control, Torit Delta P Cleaning With Collector Junction Box	DFEP6
	7063616	DFEP Control Panel, 15 Hp 575/60/3, Internal, Local/Remote Control, Torit Delta P Cleaning With Collector Junction Box	DFEP6
	7063629	DFEP Control Panel, 15 Hp 208/60/3, Internal, Local/Remote Control, Torit Delta P Cleaning With Collector Junction Box	DFEP8
	7063630	DFEP Control Panel, 15 Hp 230/60/3, Internal, Local/Remote Control, Torit Delta P Cleaning With Collector Junction Box	DFEP8
	7063631	DFEP Control Panel, 15 Hp 460/60/3, Internal, Local/Remote Control, Torit Delta P Cleaning With Collector Junction Box	DFEP8
	7063632	DFEP Control Panel, 15 Hp 575/60/3, Internal, Local/Remote Control, Torit Delta P Cleaning With Collector Junction Box	DFEP8

Note: Complete kit includes control panel, junction box, wiring and conduit. Contact home office for individual components

Delta P Plus Control Assembly Kit (Internal/Door Mounted)

Item	Part Number	Description	Model
1	7063517	DFEP Control Panel, 7.5 Hp 208/60/3, Internal, Local Control, Torit Delta P Plus Cleaning With Collector Junction Box	DFEP4
	7063518	DFEP Control Panel, 7.5 Hp 230/60/3, Internal, Local Control, Torit Delta P Plus Cleaning With Collector Junction Box	DFEP4
	7063519	DFEP Control Panel, 7.5 Hp 460/60/3, Internal, Local Control, Torit Delta P Plus Cleaning With Collector Junction Box	DFEP4
	7063520	DFEP Control Panel, 7.5 Hp 575/60/3, Internal, Local Control, Torit Delta P Plus Cleaning With Collector Junction Box	DFEP4
	7063717	DFEP Control Panel, 7.5 Hp 208/60/3, Internal, Local/Remote Control, Torit Delta P Plus Cleaning With Collector Junction Box	DFEP4
	7063718	DFEP Control Panel, 7.5 Hp 230/60/3, Internal, Local/Remote Control, Torit Delta P Plus Cleaning With Collector Junction Box	DFEP4
	7063719	DFEP Control Panel, 7.5 Hp 460/60/3, Internal, Local/Remote Control, Torit Delta P Plus Cleaning With Collector Junction Box	DFEP4
	7063720	DFEP Control Panel, 7.5 Hp 575/60/3, Internal, Local/Remote Control, Torit Delta P Plus Cleaning With Collector Junction Box	DFEP4
	7063501	DFEP Control Panel, 10 Hp 208/60/3, Internal, Local Control, Torit Delta P Plus Cleaning With Collector Junction Box	DFEP4
	7063502	DFEP Control Panel, 10 Hp 230/60/3, Internal, Local Control, Torit Delta P Plus Cleaning With Collector Junction Box	DFEP4
	7063503	DFEP Control Panel, 10 Hp 460/60/3, Internal, Local Control, Torit Delta P Plus Cleaning With Collector Junction Box	DFEP4
	7063504	DFEP Control Panel, 10 Hp 575/60/3, Internal, Local Control, Torit Delta P Plus Cleaning With Collector Junction Box	DFEP4
	7063505	DFEP Control Panel, 10 Hp 208/60/3, Internal, Local Control, Torit Delta P Plus Cleaning With Collector Junction Box	DFEP6
	7063506	DFEP Control Panel, 10 Hp 230/60/3, Internal, Local Control, Torit Delta P Plus Cleaning With Collector Junction Box	DFEP6
	7063507	DFEP Control Panel, 10 Hp 460/60/3, Internal, Local Control, Torit Delta P Plus Cleaning With Collector Junction Box	DFEP6
	7063508	DFEP Control Panel, 10 Hp 575/60/3, Internal, Local Control, Torit Delta P Plus Cleaning With Collector Junction Box	DFEP6
	7063525	DFEP Control Panel, 10 Hp 208/60/3, Internal, Local Control, Torit Delta P Plus Cleaning With Collector Junction Box	DFEP8
	7063526	DFEP Control Panel, 10 Hp 230/60/3, Internal, Local Control, Torit Delta P Plus Cleaning With Collector Junction Box	DFEP8
	7063527	DFEP Control Panel, 10 Hp 460/60/3, Internal, Local Control, Torit Delta P Plus Cleaning With Collector Junction Box	DFEP8
	7063528	DFEP Control Panel, 10 Hp 575/60/3, Internal, Local Control, Torit Delta P Plus Cleaning With Collector Junction Box	DFEP8

Note: Complete kit includes control panel, junction box, wiring and conduit. Contact home office for individual components

Delta P Plus Control Assembly Kit (Internal/Door Mounted)

Item	Part Number	Description	Model
1	7063701	DFEP Control Panel, 10 Hp 208/60/3, Internal, Local/Remote Control, Torit Delta P Plus Cleaning With Collector Junction Box	DFEP4
	7063702	DFEP Control Panel, 10 Hp 230/60/3, Internal, Local/Remote Control, Torit Delta P Plus Cleaning With Collector Junction Box	DFEP4
	7063703	DFEP Control Panel, 10 Hp 460/60/3, Internal, Local/Remote Control, Torit Delta P Plus Cleaning With Collector Junction Box	DFEP4
	7063704	DFEP Control Panel, 10 Hp 575/60/3, Internal, Local/Remote Control, Torit Delta P Plus Cleaning With Collector Junction Box	DFEP4
	7063705	DFEP Control Panel, 10 Hp 208/60/3, Internal, Local/Remote Control, Torit Delta P Plus Cleaning With Collector Junction Box	DFEP6
	7063706	DFEP Control Panel, 10 Hp 230/60/3, Internal, Local/Remote Control, Torit Delta P Plus Cleaning With Collector Junction Box	DFEP6
	7063707	DFEP Control Panel, 10 Hp 460/60/3, Internal, Local/Remote Control, Torit Delta P Plus Cleaning With Collector Junction Box	DFEP6
	7063708	DFEP Control Panel, 10 Hp 575/60/3, Internal, Local/Remote Control, Torit Delta P Plus Cleaning With Collector Junction Box	DFEP6
	7063725	DFEP Control Panel, 10 Hp 208/60/3, Internal, Local/Remote Control, Torit Delta P Plus Cleaning With Collector Junction Box	DFEP8
	7063726	DFEP Control Panel, 10 Hp 230/60/3, Internal, Local/Remote Control, Torit Delta P Plus Cleaning With Collector Junction Box	DFEP8
	7063727	DFEP Control Panel, 10 Hp 460/60/3, Internal, Local/Remote Control, Torit Delta P Plus Cleaning With Collector Junction Box	DFEP8
	7063728	DFEP Control Panel, 10 Hp 575/60/3, Internal, Local/Remote Control, Torit Delta P Plus Cleaning With Collector Junction Box	DFEP8
	7063513	DFEP Control Panel, 15 Hp 208/60/3, Internal, Local Control, Torit Delta P Plus Cleaning With Collector Junction Box	DFEP6
	7063514	DFEP Control Panel, 15 Hp 230/60/3, Internal, Local Control, Torit Delta P Plus Cleaning With Collector Junction Box	DFEP6
	7063515	DFEP Control Panel, 15 Hp 460/60/3, Internal, Local Control, Torit Delta P Plus Cleaning With Collector Junction Box	DFEP6
	7063516	DFEP Control Panel, 15 Hp 575/60/3, Internal, Local Control, Torit Delta P Plus Cleaning With Collector Junction Box	DFEP6

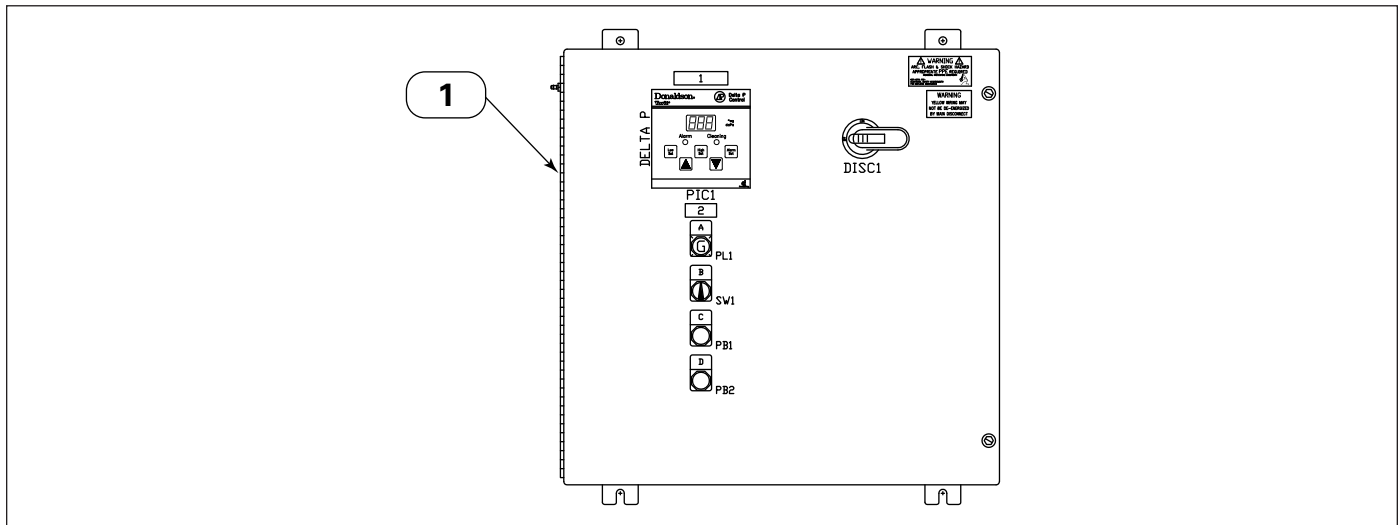
Note: Complete kit includes control panel, junction box, wiring and conduit. Contact home office for individual components

Delta P Plus Control Assembly Kit (Internal/Door Mounted)

Item	Part Number	Description	Model
1	7063529	DFEP Control Panel, 15 Hp 208/60/3, Internal, Local Control, Torit Delta P Plus Cleaning With Collector Junction Box	DFEP8
	7063530	DFEP Control Panel, 15 Hp 230/60/3, Internal, Local Control, Torit Delta P Plus Cleaning With Collector Junction Box	DFEP8
	7063531	DFEP Control Panel, 15 Hp 460/60/3, Internal, Local Control, Torit Delta P Plus Cleaning With Collector Junction Box	DFEP8
	7063532	DFEP Control Panel, 15 Hp 575/60/3, Internal, Local Control, Torit Delta P Plus Cleaning With Collector Junction Box	DFEP8
	7063713	DFEP Control Panel, 15 Hp 208/60/3, Internal, Local/Remote Control, Torit Delta P Plus Cleaning With Collector Junction Box	DFEP6
	7063714	DFEP Control Panel, 15 Hp 230/60/3, Internal, Local/Remote Control, Torit Delta P Plus Cleaning With Collector Junction Box	DFEP6
	7063715	DFEP Control Panel, 15 Hp 460/60/3, Internal, Local/Remote Control, Torit Delta P Plus Cleaning With Collector Junction Box	DFEP6
	7063716	DFEP Control Panel, 15 Hp 575/60/3, Internal, Local/Remote Control, Torit Delta P Plus Cleaning With Collector Junction Box	DFEP6
	7063729	DFEP Control Panel, 15 Hp 208/60/3, Internal, Local/Remote Control, Torit Delta P Plus Cleaning With Collector Junction Box	DFEP8
	7063730	DFEP Control Panel, 15 Hp 230/60/3, Internal, Local/Remote Control, Torit Delta P Plus Cleaning With Collector Junction Box	DFEP8
	7063731	DFEP Control Panel, 15 Hp 460/60/3, Internal, Local/Remote Control, Torit Delta P Plus Cleaning With Collector Junction Box	DFEP8
	7063732	DFEP Control Panel, 15 Hp 575/60/3, Internal, Local/Remote Control, Torit Delta P Plus Cleaning With Collector Junction Box	DFEP8
2	7508201	Delta P Control Board	All
	7053601	Delta P Plus Control Board	All
Not Illustrated			
	AD3380601	Dustronics Control 10-Pin Timer 110 Volt NEMA 4	All

Note: Complete kit includes control panel, junction box, wiring and conduit. Contact home office for individual components

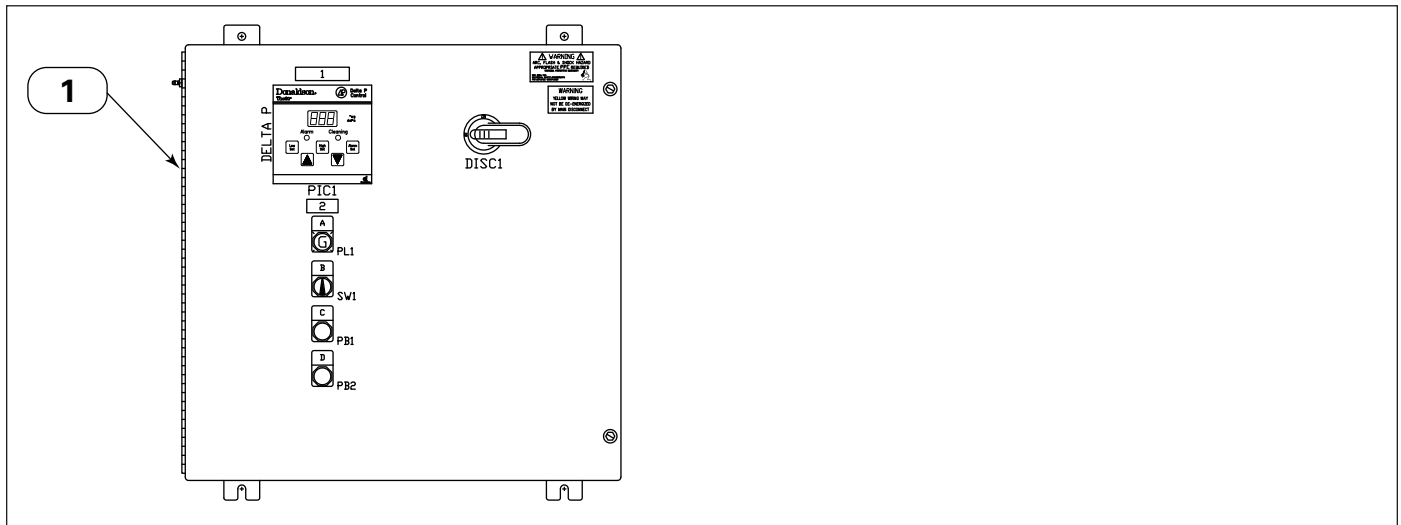
Remote Mount Delta P Cleaning



Remote Mount Delta P Cleaning

Item	Part Number	Description	Model
1	70445-__	Local Control, Delta P Cleaning	All
	70575-__	Delta P Cleaning with 24VDC and Manual Motor Control with Low Voltage Feedback Relay	All
	70579-__	External Delta P Timer with Manual Motor Control and Airflow Controller (VFD)	All
VOLTAGE AND HORSEPOWER: (SELECT ONE OF THE FOLLOWING TO COMPLETE THE DELTA P CONTROLLER PART NUMBER __)			
	-09	208 V, 7.5 HP, 60 HZ, 3 PH	DFEP4
	-10	230 V, 7.5 HP, 60 HZ, 3 PH	DFEP4
	-11	460 V, 7.5 HP, 60 HZ, 3 PH	DFEP4
	-12	575 V, 7.5 HP, 60 HZ, 3 PH	DFEP4
	-13	208 V, 10 HP, 60 HZ, 3 PH	DFEP4, 6, 8
	-14	230 V, 10 HP, 60 HZ, 3 PH	DFEP4, 6, 8
	-15	460 V, 10 HP, 60 HZ, 3 PH	DFEP4, 6, 8
	-16	575 V, 10 HP, 60 HZ, 3 PH	DFEP4, 6, 8
	-17	208 V, 15 HP, 60 HZ, 3 PH	DFEP6, 8
	-18	230 V, 15 HP, 60 HZ, 3 PH	DFEP6, 8
	-19	460 V, 15 HP, 60 HZ, 3 PH	DFEP6, 8
	-20	575 V, 15 HP, 60 HZ, 3 PH	DFEP6, 8

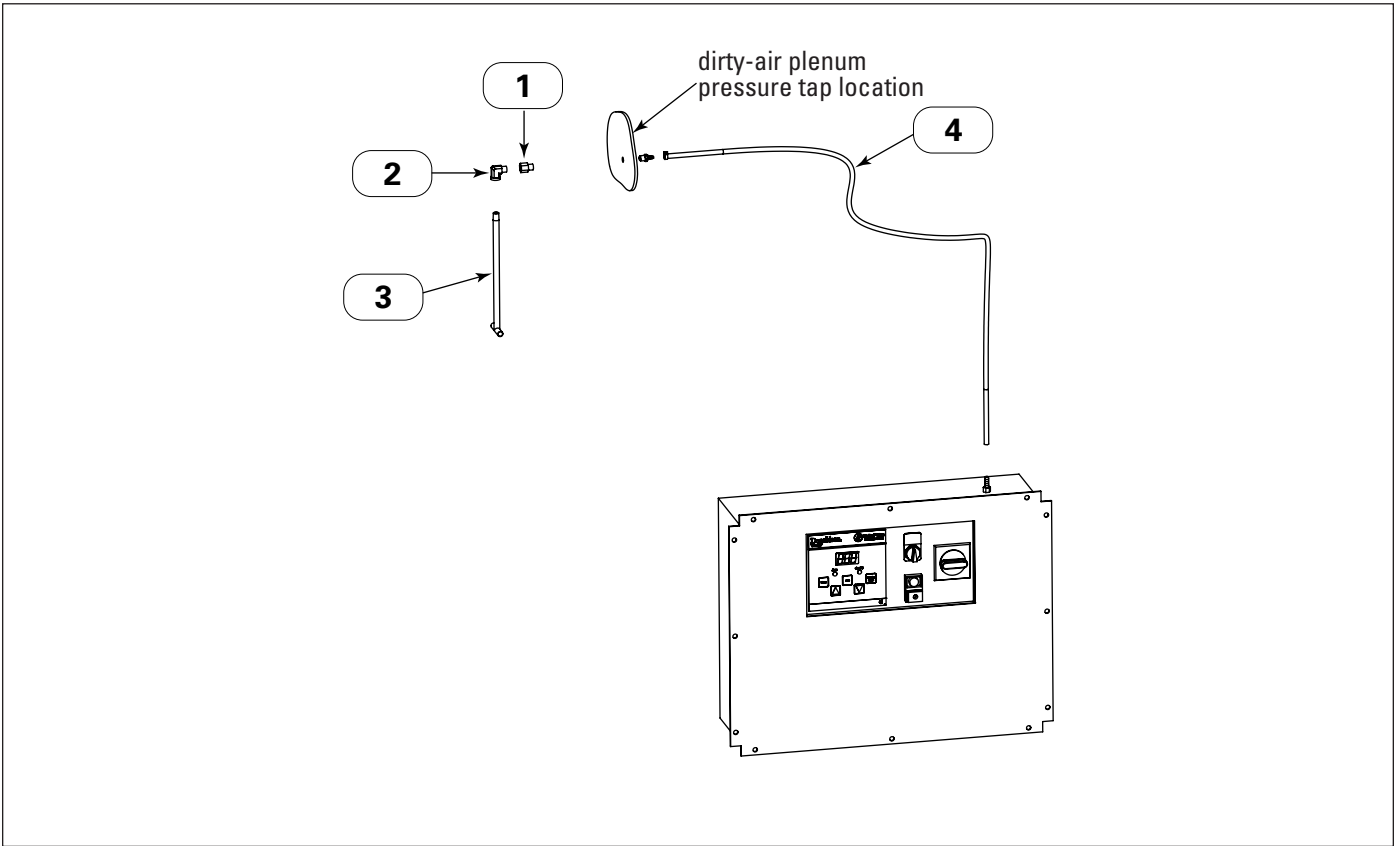
Remote Mount Delta P Plus Cleaning



Remote Mount Delta P Plus Cleaning

Item	Part Number	Description	Model
1	70548-__	Local Control, Delta P Plus Cleaning	All
	70576-__	Delta P Plus Cleaning with 24VDC and Manual Motor Control with Low Voltage Feedback Relay	All
	70580-__	External Delta P Plus Timer with Manual Motor Control and Airflow Controller (VFD)	All
VOLTAGE AND HORSEPOWER: (SELECT ONE OF THE FOLLOWING TO COMPLETE THE DELTA P PLUS CONTROLLER PART NUMBER __)			
	-09	208 V, 7.5 HP, 60 HZ, 3 PH	DFEP4
	-10	230 V, 7.5 HP, 60 HZ, 3 PH	DFEP4
	-11	460 V, 7.5 HP, 60 HZ, 3 PH	DFEP4
	-12	575 V, 7.5 HP, 60 HZ, 3 PH	DFEP4
	-13	208 V, 10 HP, 60 HZ, 3 PH	DFEP4, 6, 8
	-14	230 V, 10 HP, 60 HZ, 3 PH	DFEP4, 6, 8
	-15	460 V, 10 HP, 60 HZ, 3 PH	DFEP4, 6, 8
	-16	575 V, 10 HP, 60 HZ, 3 PH	DFEP4, 6, 8
	-17	208 V, 15 HP, 60 HZ, 3 PH	DFEP6, 8
	-18	230 V, 15 HP, 60 HZ, 3 PH	DFEP6, 8
	-19	460 V, 15 HP, 60 HZ, 3 PH	DFEP6, 8
	-20	575 V, 15 HP, 60 HZ, 3 PH	DFEP6, 8

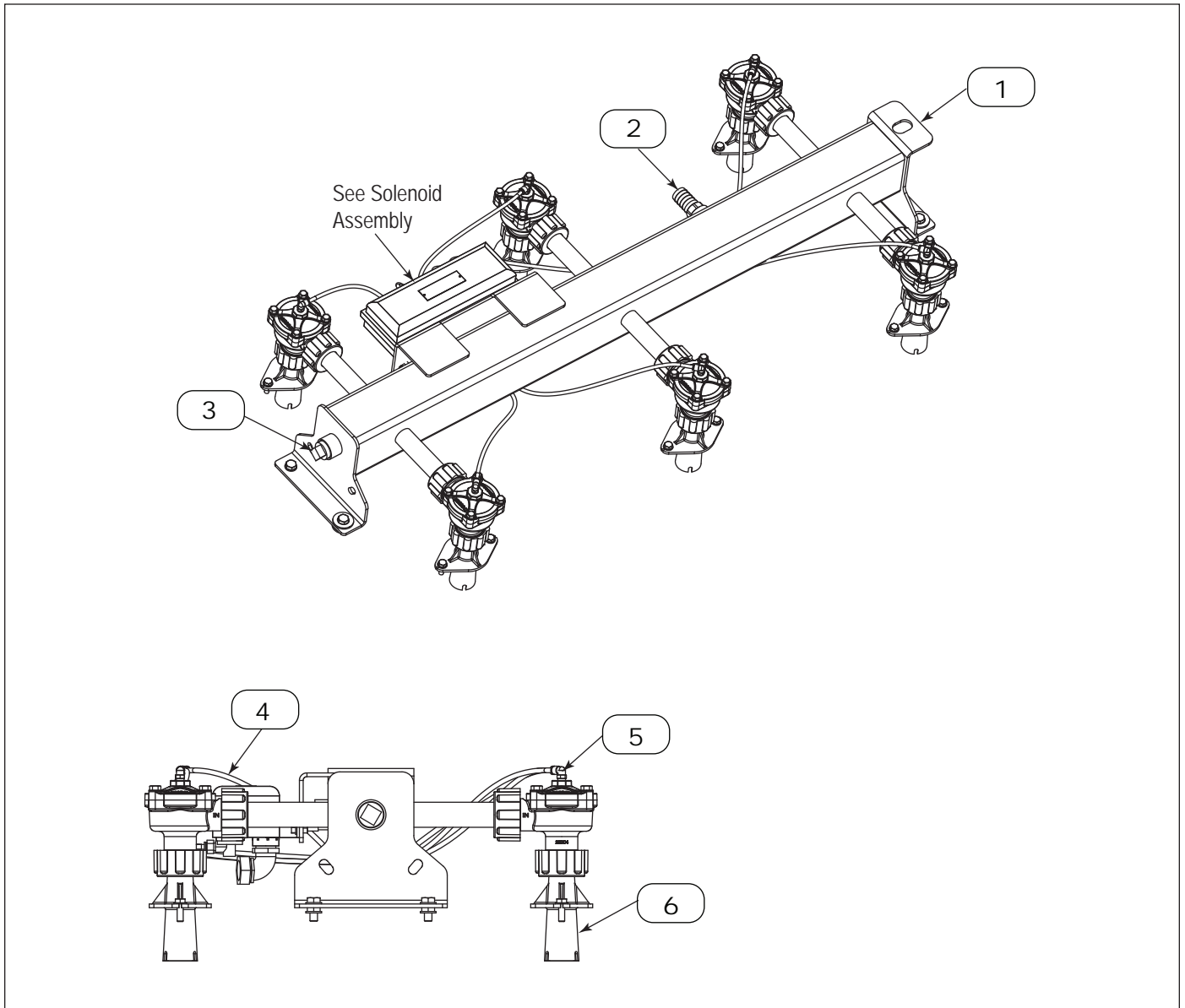
Pressure Gauge Tubing Assembly



Pressure Gauge Tubing Assembly

Item	Part Number	Description	Model
1	2157400	1/8-in NPT x 1/8-in FPT Adapter	All
2	AD3309302	1/8-in NPT x 90° Brass Female Elbow	All
3	2324501	Static Pressure Tee, Brass	All
4	0420800	Plastic Tubing, Vinyl, 3/16-in ID	All

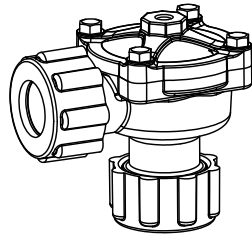
Manifold Assembly



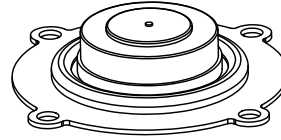
Manifold Assembly

Item	Part Number	Description	Model
1	AG8389001	Manifold Weldment	DFEP4
	AG8322313	Manifold Weldment	DFEP6
	AG8368313	Manifold Weldment	DFEP8
2	5315800	Barbed Hose Nipple	All
3	3252023	1-in NPT Galvanized Steel Plug	All
4	2146400	1/4-in OD Polyethylene Tubing	All
5	2146200	Elbow, 1/4-in OD Tube, Push-In x 1/8-in NPT	All
6	AG8162901	Blow Pipe	All

Diaphragm Valve and Repair Kit



1 Diaphragm Valve
Goyen RCAC25DD



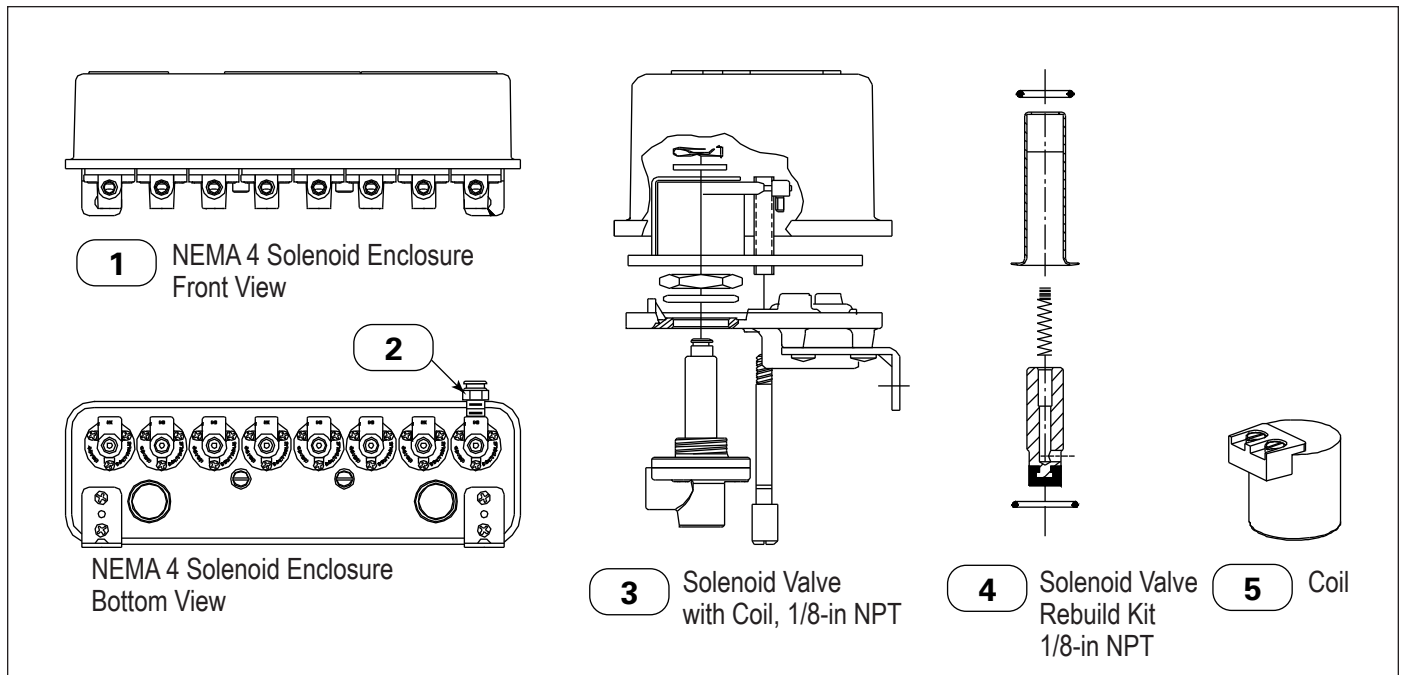
2 Diaphragm

Diaphragm Valve and Repair Kit

Item	Part Number	Description
Refer to collector for type of diaphragm valve originally supplied		
1	AG8113801	Diaphragm Valve, 1-in, Goyen, RCAC25DD4000 Series, Millennium
2	AG8113901	Diaphragm Valve Repair Kit, Goyen, RCAC25DD4000 Series, Springless

Goyen® is a registered trademark of Tyco International Ltd.

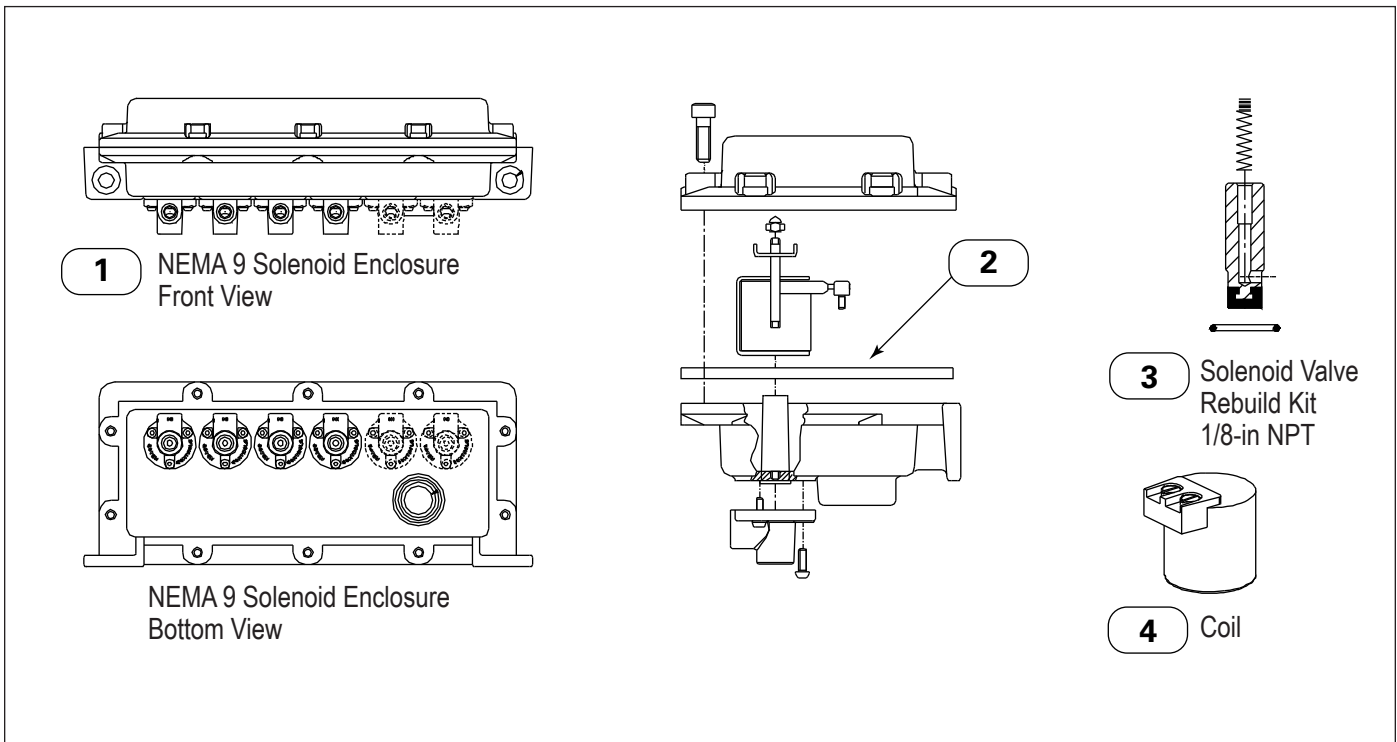
Solenoid Assembly, NEMA 4 Enclosure



Solenoid Assembly, NEMA 4 Enclosure

Item	Part Number	Description	Model
1	4894803	Solenoid Enclosure, NEMA 4	DFEP4
	4938405	Solenoid Enclosure, NEMA 4	DFEP6
	4938409	Solenoid Enclosure, NEMA 4	DFEP8
2	2146100	1/4-in OD Plastic Push-In x 1/8-in NPT Male Connector	All
3	2295800	Solenoid Valve with Coil, 120-Volt AC	All
4	2463600	Solenoid Valve Rebuild Kit	All
5	2540900	Solenoid Valve Coil, 120-Volt AC	All
Not Illustrated			
	2146400	1/4-in OD Polyethylene Tubing	All
	3782800	Replacement Heater, 115-Volt AC	All
	3783000	Replacement Thermostat, 115-Volt AC	All
	2146200	Elbow, 1/4-OD Tube, Push-In x 1/8-in NPT	All
	AG8349702	Wiring Diagram, NEMA 4	DFEP4
	AG8349701	Wiring Diagram, NEMA 4	DFEP6
	AG8349703	Wiring Diagram, NEMA 4	DFEP8

Solenoid Assembly, NEMA 9 Explosion-Proof Enclosure



Solenoid Assembly, NEMA 9 Explosion-Proof Enclosure

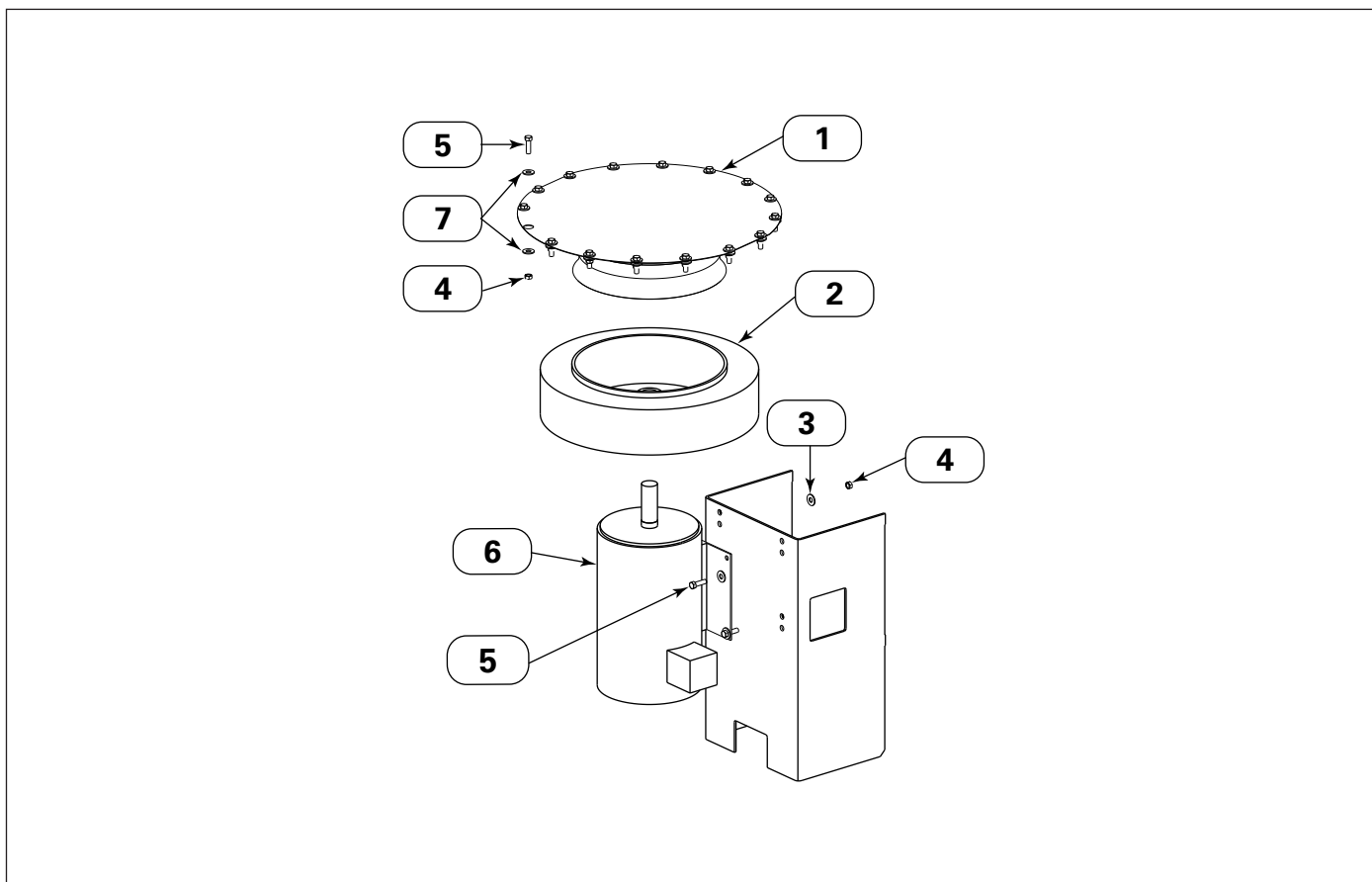
Item	Part Number	Description	Model
1	3776004	Solenoid Enclosure, Explosion Proof, 4-Valve, NEMA 9	DFEP4
	3776006	Solenoid Enclosure, Explosion Proof, 6-Valve, NEMA 9	DFEP6
	3776004	Solenoid Enclosure, Explosion Proof, 4-Valve, NEMA 9 (qty two required per collector)	DFEP8
2	3783200	Replacement Gasket, NEMA 9 (required)	All
3	3783100	Solenoid Valve Rebuild Kit, NEMA 9	All
4	2540900	Solenoid Valve Coil, 120-Volt AC	All

Not Illustrated

	2146400	1/4-in OD Polyethylene Tubing	All
	2146200	Elbow, 1/4-OD Tube, Push-In x 1/8-in NPT	All
	AG8349702	Wiring Diagram, NEMA 9	DFEP4
	AG8349701	Wiring Diagram, NEMA 9	DFEP6
	AG8349703	Wiring Diagram, NEMA 9	DFEP8

This Page Intentionally Left Blank

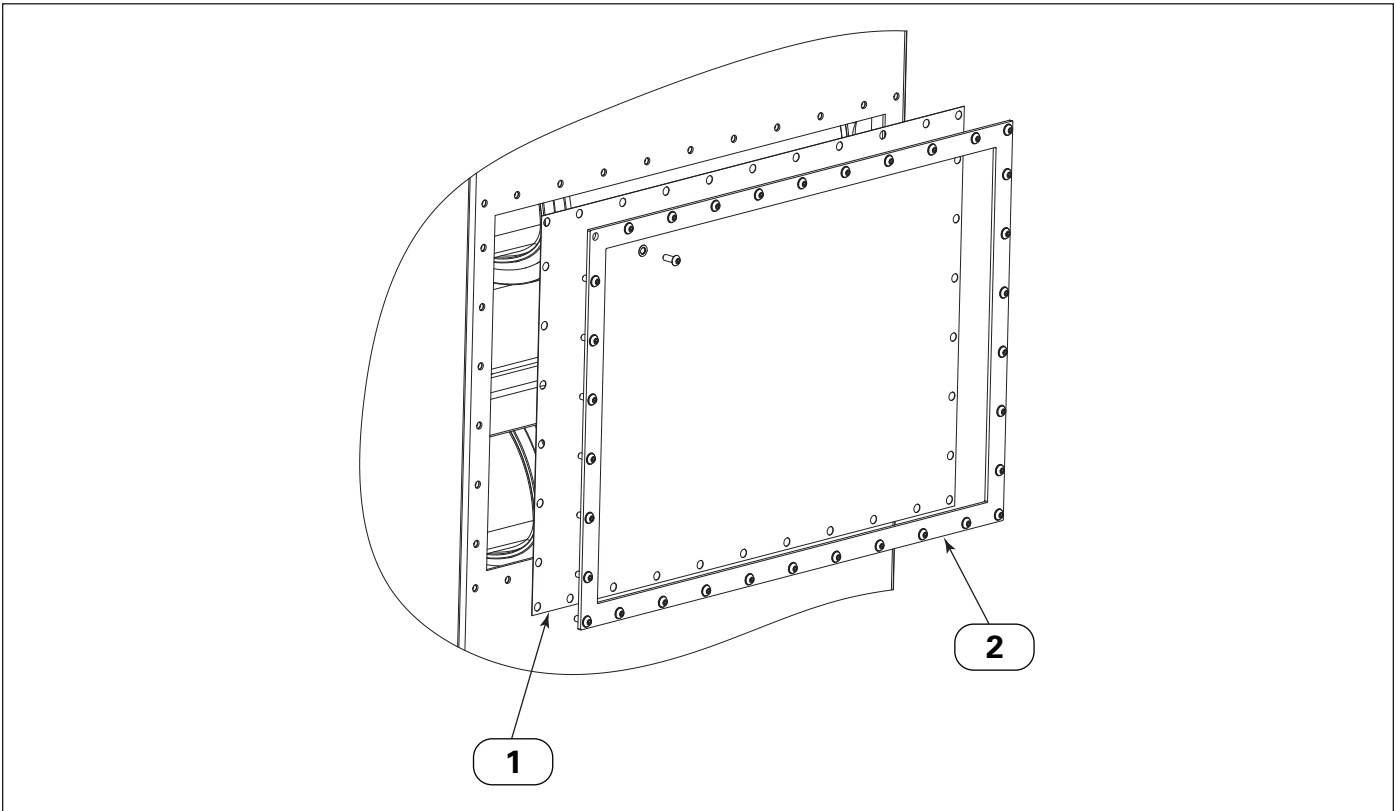
Power Pack Assembly



Power Pack Assembly

Item	Part Number	Description	Model
1	AD3394106	Inlet Cone Blower, Steel, Size 18	DFEP4, 6
	AD3925701	Inlet Cone Blower, Steel, Size 20	DFEP6, 8
2	AD3937311	Aluminum Airfoil Fan Wheel, Size 18, 35 PCT	DFEP4
	AD3937310	Aluminum Airfoil Fan Wheel, Size 18, 50 PCT	DFEP4
	AD3937308	Aluminum Airfoil Fan Wheel, Size 18, 40 PCT	DFEP6
	AD3937302	Aluminum Airfoil Fan Wheel, Size 18, 60 PCT	DFEP6
	AD3937304	Aluminum Airfoil Fan Wheel, Size 20, 55 PCT	DFEP6, 8
	AD3972201	Aluminum Airfoil Fan Wheel, Size 20, 55 PCT, EP	DFEP6, 8
	AD3937313	Aluminum Airfoil Fan Wheel, Size 20, 35 PCT	DFEP8
	AD3937314	Aluminum Airfoil Fan Wheel, Size 20, 45 PCT	DFEP8
	AD3972203	Aluminum Airfoil Fan Wheel, Size 20, 45 PCT, EP	DFEP8
3	9397411	Washer, Flat, M10	All
4	0920003	Nut, Hex, Steel, M10-1.5	All
5	0919505	Bolt, Hex, M10-1.5 x 25mm Long, ROHS	All
6	AG8372201	Motor, 7.5 HP, TEFC, 208-230/460/60/3, 1-3/8-in Shaft	DFEP4
	AG8372205	Motor, 7.5 HP, EP, 230/460/60/3, 1-3/8-in Shaft	DFEP4
	AG8372204	Motor, 7.5 HP, EP, 208/60/3, 1-3/8-in Shaft	DFEP4
	AG8372202	Motor, 7.5 HP, TEFC, 575/60/3, 1-3/8-in Shaft	DFEP4
	AG8372203	Motor, 7.5 HP, EP, 575/60/3, 1-3/8-in Shaft	DFEP4
	1161000	Motor, 10 HP, TEFC, 208-230/460/60/3, 1-3/8-in Shaft	DFEP4, 6, 8
	AD3955105	Motor, 10 HP, EP, 230/460/60/3, 1-3/8-in Shaft	DFEP4, 6, 8
	AD3955106	Motor, 10 HP, EP, 208/60/3, 1-3/8-in Shaft	DFEP4, 6, 8
	AD3955101	Motor, 10 HP, TEFC, 575/60/3, 1-3/8-in Shaft	DFEP4, 6, 8
	AD3955102	Motor, 10 HP, EP, 575/60/3, 1-3/8-in Shaft	DFEP4, 6, 8
	AD3955001	Motor, 15 HP, TEFC, 208/230/460/60/3, 1-3/8-in Shaft	DFEP6, 8
	AD3955003	Motor, 15 HP, EP, 230/460/60/3, 1-5/8-in Shaft	DFEP6, 8
	AD3955007	Motor, 15 HP, EP, 208/60/3, 1-5/8-in Shaft	DFEP6, 8
	AD3955006	Motor, 15 HP, TEFC, 575/60/3, 1-3/8-in Shaft	DFEP6, 8
	AD3955002	Motor, 15 HP, EP, 575/60/3, 1-5/8-in Shaft	DFEP6, 8
7	AG8345901	Washer, Fender M10	All

Explosion Relief Vent



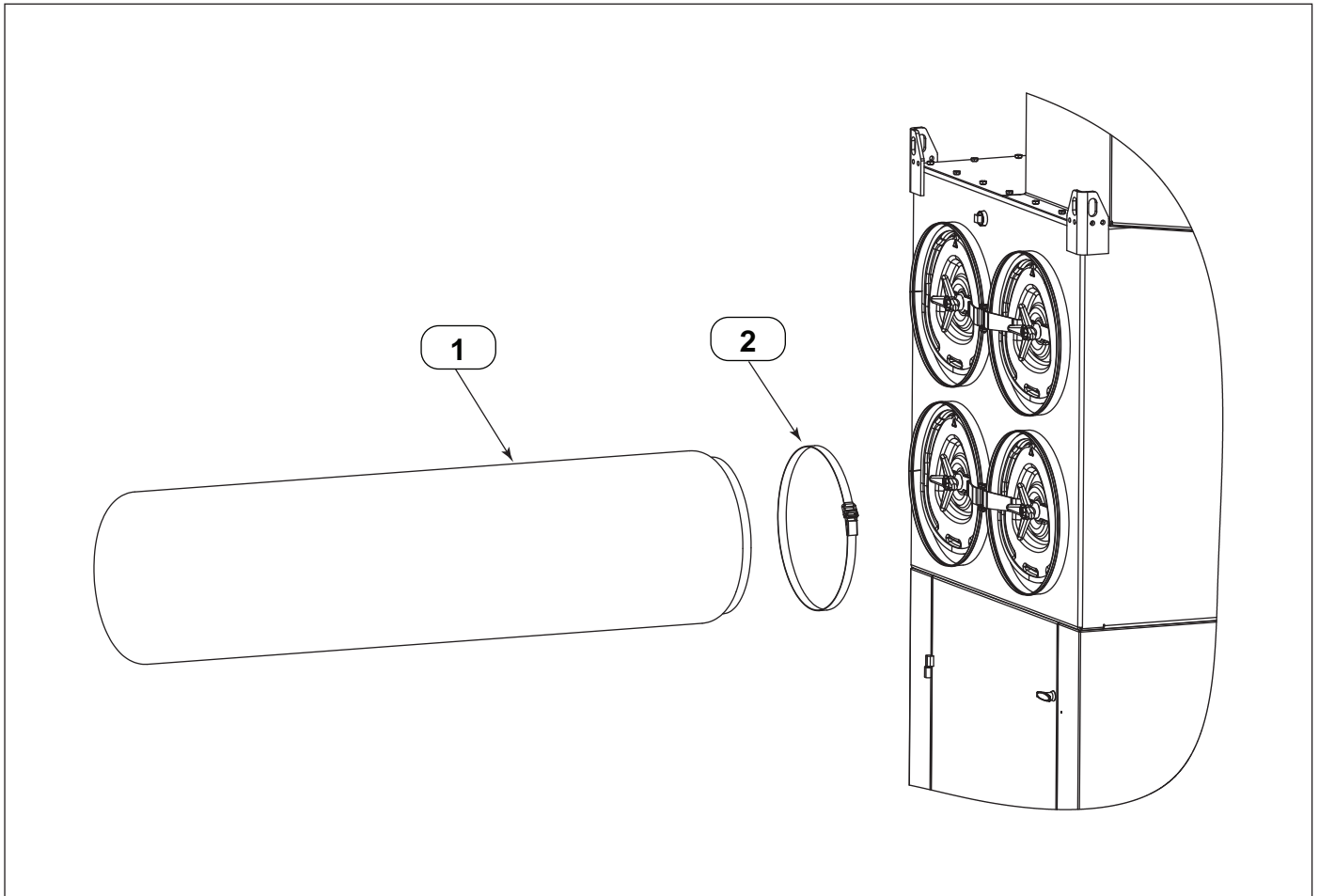
Explosion Relief Vent

Item	Part Number	Description	Model
1	AG8397004	Explosion Vent, 24 x 36-in	All
2	AG8119402	Retainer Frame	All

Not Illustrated

	AD3708101	Warning Label, Explosion Vent (located below explosion vent)	All
--	-----------	--	-----

Bag-Out Components



Bag-Out Components

Item	Part Number	Description	Model
1	2537200	Bag-Out Bag (1 filter)	All
2	2539700	Bag-Out Band Clamp	All

Collector Information (Process Owner to complete and retain for your records)

Model Number _____ Serial Number _____

Ship Date _____ Installation Date _____

Filter Type _____

Dust Being Collected _____

Dust Properties: Kst _____ Pmax _____ MIE _____ MEC _____

Accessories _____

Other _____

Service Notes

Date	Service Performed	Notes

Donaldson Industrial Air Filtration Warranty

Donaldson warrants to the original purchaser only that the Goods will be free from defects in material and manufacture for the applicable time periods stated below: (1) Major structural components for a period of ten (10) years from the date of shipment; (2) Non-Structural, Donaldson-built components and accessories including Donaldson Airlocks, TBI Fans, TRB Fans, Fume Collector products, Donaldson built electrical control components, and Donaldson-built Afterfilter housings for a period of twelve (12) months from date of shipment; and (3) Donaldson-built filter elements for a period of eighteen (18) months from date of shipment.

Buyer is solely responsible for determining if goods fit Buyer's particular purpose and are suitable for Buyer's process and application. Seller's statements, engineering and technical information, and recommendations are provided for the Buyer's convenience and the accuracy or completeness thereof is not warranted. If, after Seller receives written notice, within the warranty period, that any goods allegedly do not meet Seller's warranty, and Seller, in its sole discretion, determines that such claim is valid, Seller's sole obligation and Buyer's exclusive remedy for breach of the foregoing warranty or any Seller published warranty, will be, at Seller's option, either: (i) repair or replacement of such goods or (ii) credit or refund to Buyer for the purchase price from Seller. In the case of repair or replacement, Seller will be responsible for the cost of shipping the parts but not for labor to remove, repair, replace or reinstall the allegedly defective goods. Refurbished goods may be used to repair or replace the goods and the warranty on such repaired or replaced goods shall be the balance of the warranty remaining on the goods which were repaired or replaced. Any repair or rework made by anyone other than Seller is not permitted without prior written authorization by Seller, and voids the warranty set forth herein. Seller warrants to Buyer that it will perform services in accordance with the Sales Documents using personnel of required skill, experience and qualifications and in a professional and workmanlike manner in accordance with generally recognized industry standards for similar services. With respect to any services subject to a claim under the warranty set forth above, Seller shall, in its sole discretion, (i) repair or re-perform the applicable services or (ii) credit or refund the price of such services at the pro rata contract rate and such shall be Seller's sole obligation and the exclusive remedy for breach of the foregoing warranty on services. Products manufactured by a third party ("Third Party Product") may constitute, contain, be contained in, incorporated into, attached to or packaged together with, the goods. Buyer agrees that: (a) Third Party Products are excluded from Seller's warranty in this Section 7 and carry only the warranty extended by the original manufacturer, and (b) Seller's liability in all cases is limited to goods of Seller's design and manufacture only. EXCEPT FOR SELLER'S WARRANTY OF TITLE TO THE GOODS, SELLER EXPRESSLY DISCLAIMS AND EXCLUDES ALL OTHER WARRANTIES WHATSOEVER, WHETHER, EXPRESSED OR IMPLIED, ORAL, STATUTORY, OR OTHERWISE, INCLUDING BUT NOT LIMITED TO MERCHANTABILITY, FITNESS FOR A PARTICULAR PURPOSE, NON-INFRINGEMENT OF THIRD PARTY INTELLECTUAL PROPERTY AND ANY WARRANTIES ARISING FROM TECHNICAL ADVICE OR RECOMMENDATIONS, COURSE OF DEALING OR OF PERFORMANCE, CUSTOM OR USAGE OF TRADE. Seller's obligations do not cover normal wear and tear or deterioration, defects in or damage to any goods resulting from improper installation, accident or any utilization, maintenance, repair or modification of the goods, or any use that is inconsistent with Seller's instructions as to the storage, installation, commissioning or use of the goods or the designed capabilities of the goods or that, in its sole judgment, the performance or reliability thereof is adversely affected thereby, or which is subjected to abuse, mishandling, misuse or neglect or any damage caused by connections, interfacing or use in unforeseen or unintended environments or any other cause not the sole fault of Seller, and shall be at Buyer's expense. Seller's warranty is contingent upon the accuracy of all information provided by Buyer. Any changes to or inaccuracies in any information or data provided by Buyer voids this warranty. Seller does not warrant that the operation of the goods will be uninterrupted or error-free, that the functions of the goods will meet Buyer's or its customer's requirements unless specifically agreed to, or that the goods will operate in combination with other products selected by Buyer or Buyer's customer for its use.

The terms of this warranty may only be modified by a special warranty document signed by a Director, General Manager or Vice President of Donaldson. To ensure proper operational performance of your equipment, use only genuine Donaldson replacement parts.

This Product is provided subject to and conditioned upon Donaldson's Terms of Sale ("Terms"), a current copy of which is located at termsofsale.donaldson.com. These Terms are incorporated herein by reference. By purchasing or using this Product, the user accepts these Terms. The Terms are available on our website or by calling our customer service line at 1-800-365-1331.



Donaldson
FILTRATION SOLUTIONS

Parts and Service

For genuine Donaldson replacement filters and parts, call the Parts Express Line. For faster service, have collector's model and serial number, quantity, part number, and description available.

Donaldson Company, Inc.
Torit
PO Box 1299
Minneapolis, MN 55440-1299 U.S.A.

800-365-1331 USA
800-343-3639 within Mexico
+52 (449) 300 24 42 Latin America

donaldsontorit@donaldson.com
donaldsontorit.com

Donaldson Company, Inc. is the leading designer and manufacturer of dust, mist, and fume collection equipment used to control industrial-air pollutants. Our equipment is designed to help reduce occupational hazards, lengthen machine life, reduce in-plant maintenance requirements, and improve product quality.

© 2017 Donaldson Company, Inc.
Printed in USA

RPLAG8409701 (ENG), Revision 1
August 2018